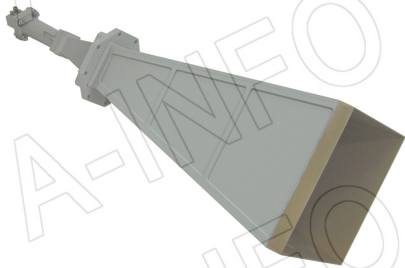


For reference only. See data sheet for the detailed specifications.

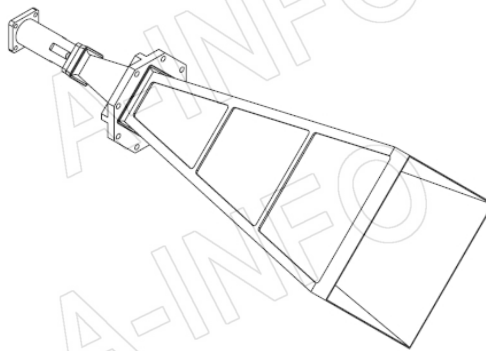
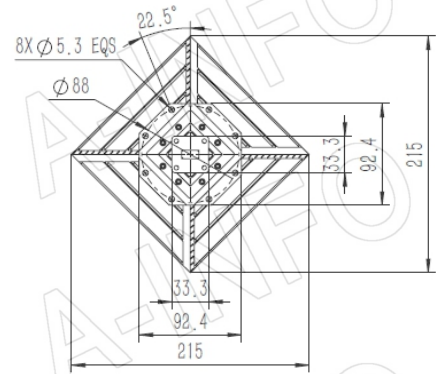
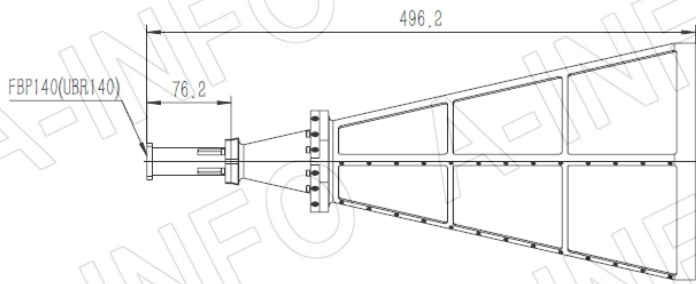
Technical Specification



| | |
|--------------------------|---|
| Frequency Range(GHz) | 12.4 - 18.0 |
| Waveguide | WR62 |
| Gain(dBi) | 25 Typ. |
| Polarization | Linear |
| 3dB Beamwidth(deg) | E Plane: 9 Typ. |
| | H Plane: 9 Typ. |
| Side Lobe Level(dB) | E Plane: 35 Min. |
| | H Plane: 35 Min. |
| Cross Pol. Isolation(dB) | 40 Typ. |
| VSWR | A Type: 1.20:1 Max. |
| | C Type: 1.50:1 Max. |
| Output | A Type: FBP140(UBR140) |
| | C Type: SMA-Female or N-Female or TNC-Female or 7mm or 3.5mm-Female |
| Material | Al |
| Finish | Chemical Conversion Coating, Gray Paint |
| Size(mm) | A Type: 215 x 215 x 496.2 |
| | C Type: 215 x 215 x 523.2 |
| Net Weight(Kg) | A Type: 1.16 Around |
| | C Type: 1.20 Around |

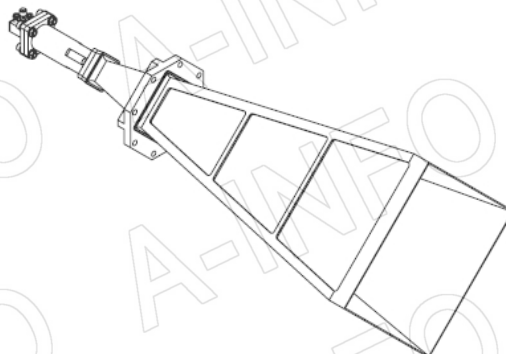
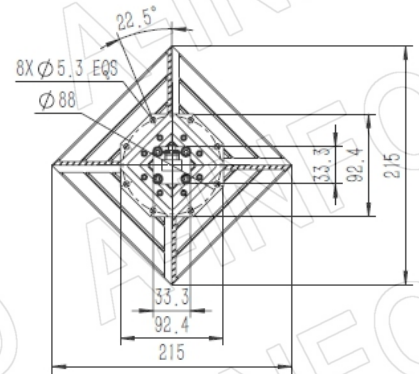
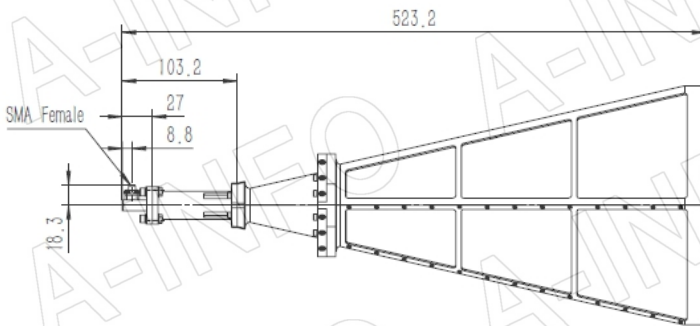
Outline Drawing (Size: mm)

FBP140 Output (P/N: LB-DG-62-25-A)



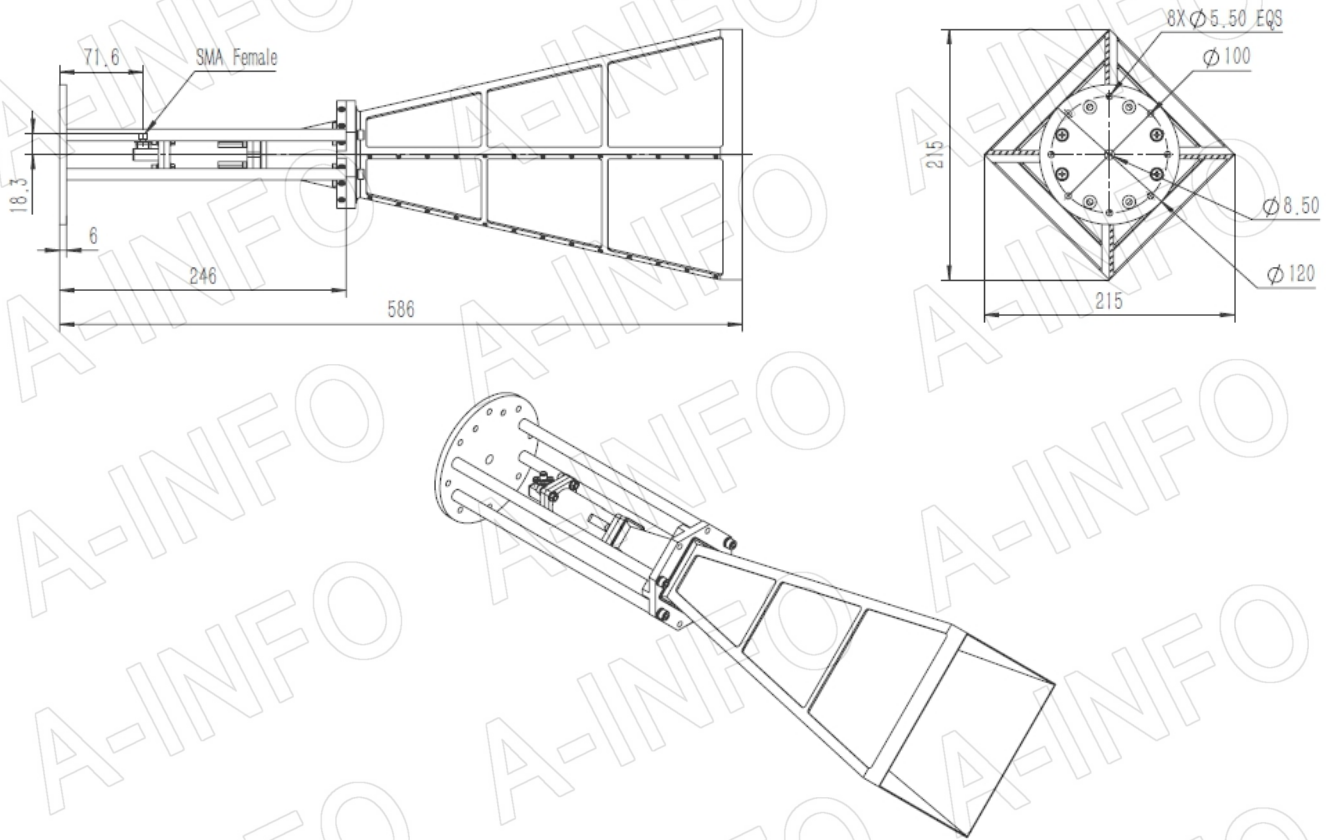
SMA-Female Output (P/N: LB-DG-62-25-C-SF)

For N-Female, TNC-Female, 7mm or 3.5mm-Female output outline drawing, please contact A-INFO.

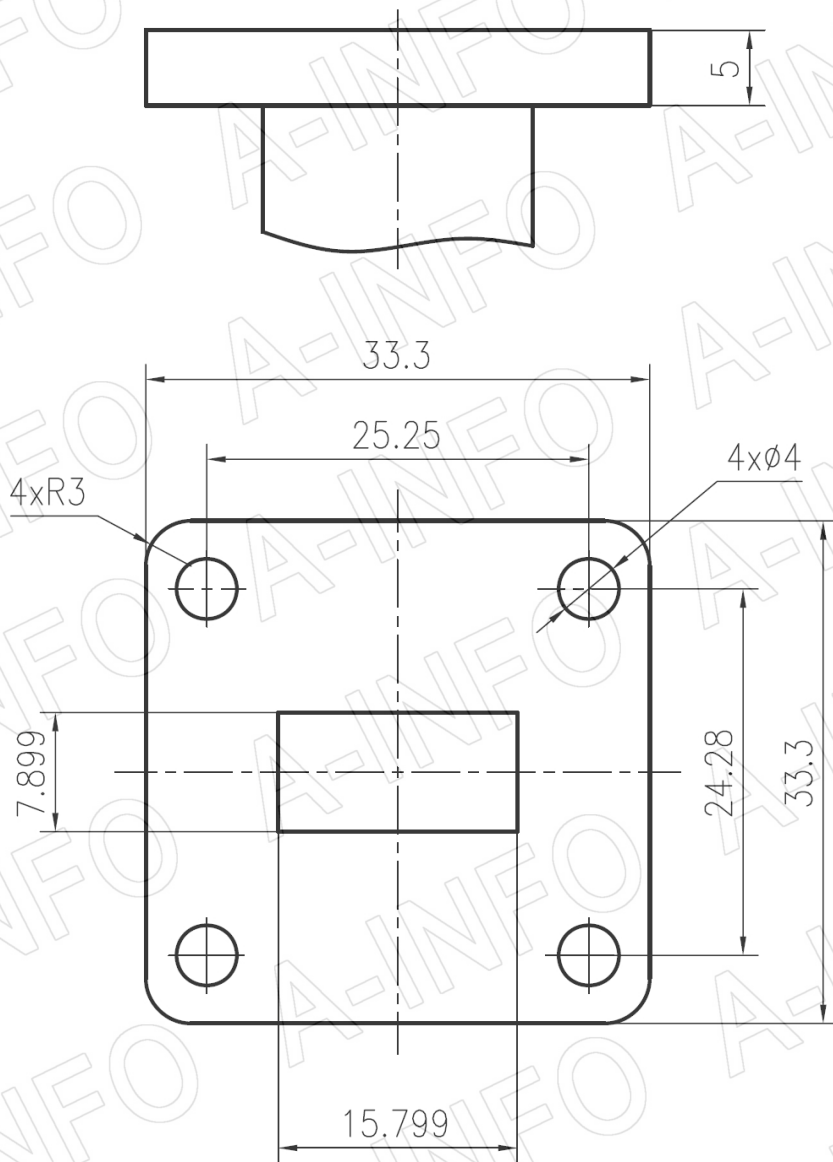


SMA-Female Output with Round Mounting Bracket (Option, P/N: LB-DG-62-25-MB)

For N-Female, TNC-Female, 7mm or 3.5mm-Female output outline drawing, please contact A-INFO.



Flange Drawing (Size: mm)



FBP140

AINFO Inc.

China(Beijing): Tel: (+86) 10-6266-7326,
 China(Chengdu): Tel: (+86) 28-8519-2786,
 USA: Tel: (+1) 949-639-9688,

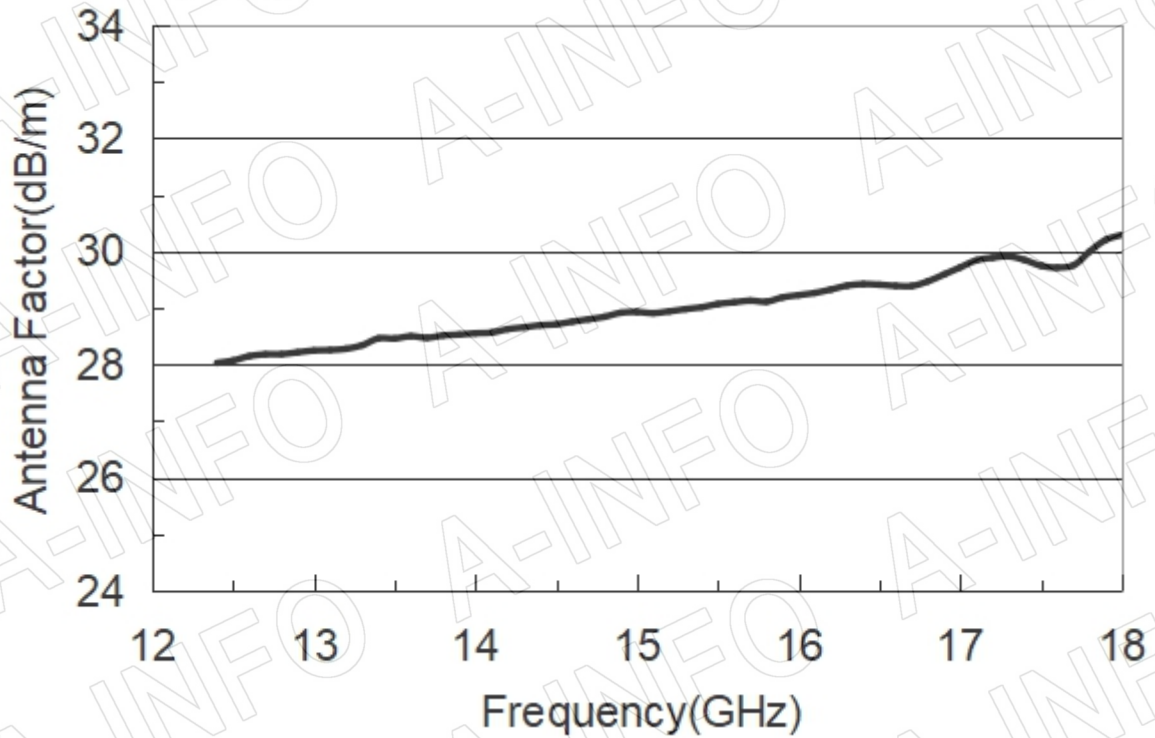
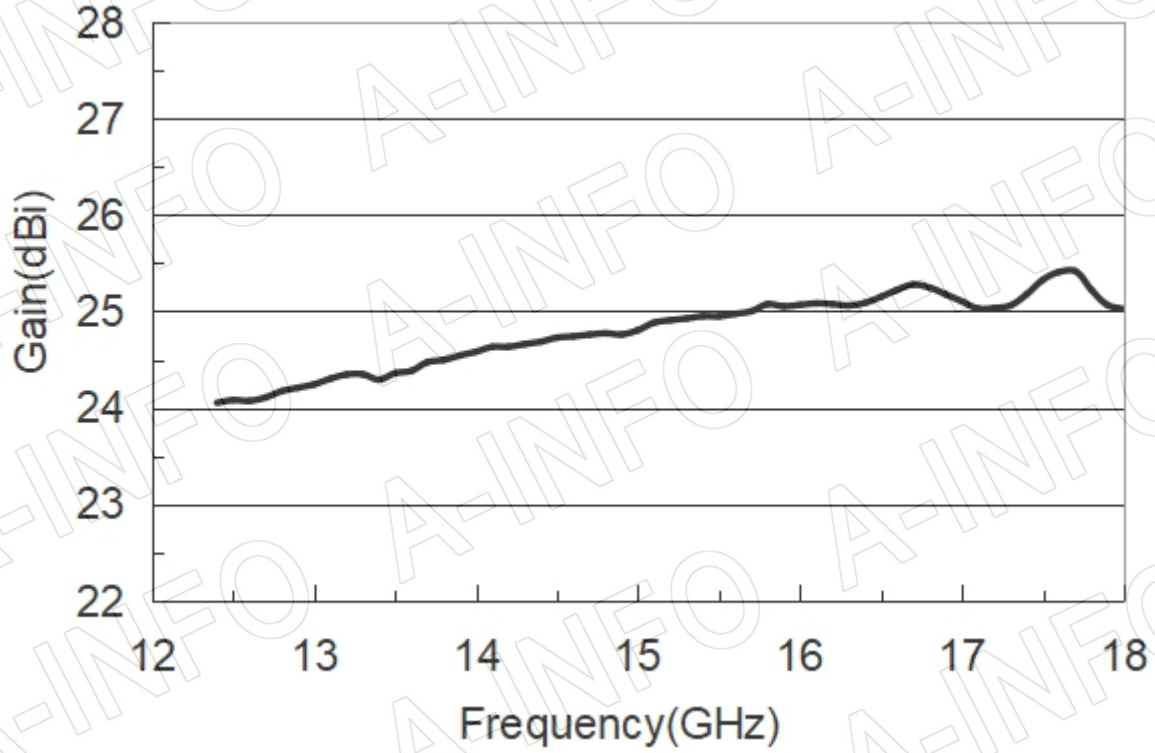
Page 4 of 8

(+86) 10-6266-7327 Fax: (+86) 10-6266-7379
 (+86) 28-8519-3044 Fax: (+86) 28-8519-3068
 (+1) 949-639-9608 Fax: (+1) 949-639-9670

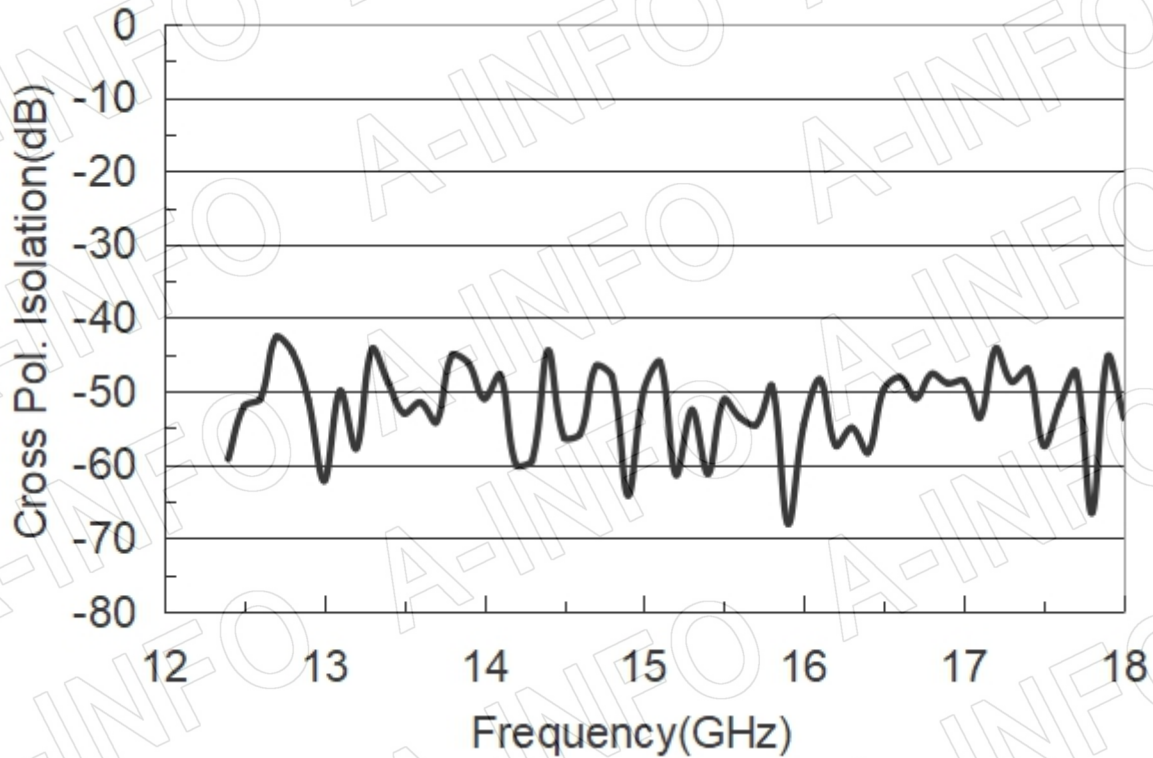
Website: www.ainfoinc.com
 Email: sales@ainfoinc.com

Test Results

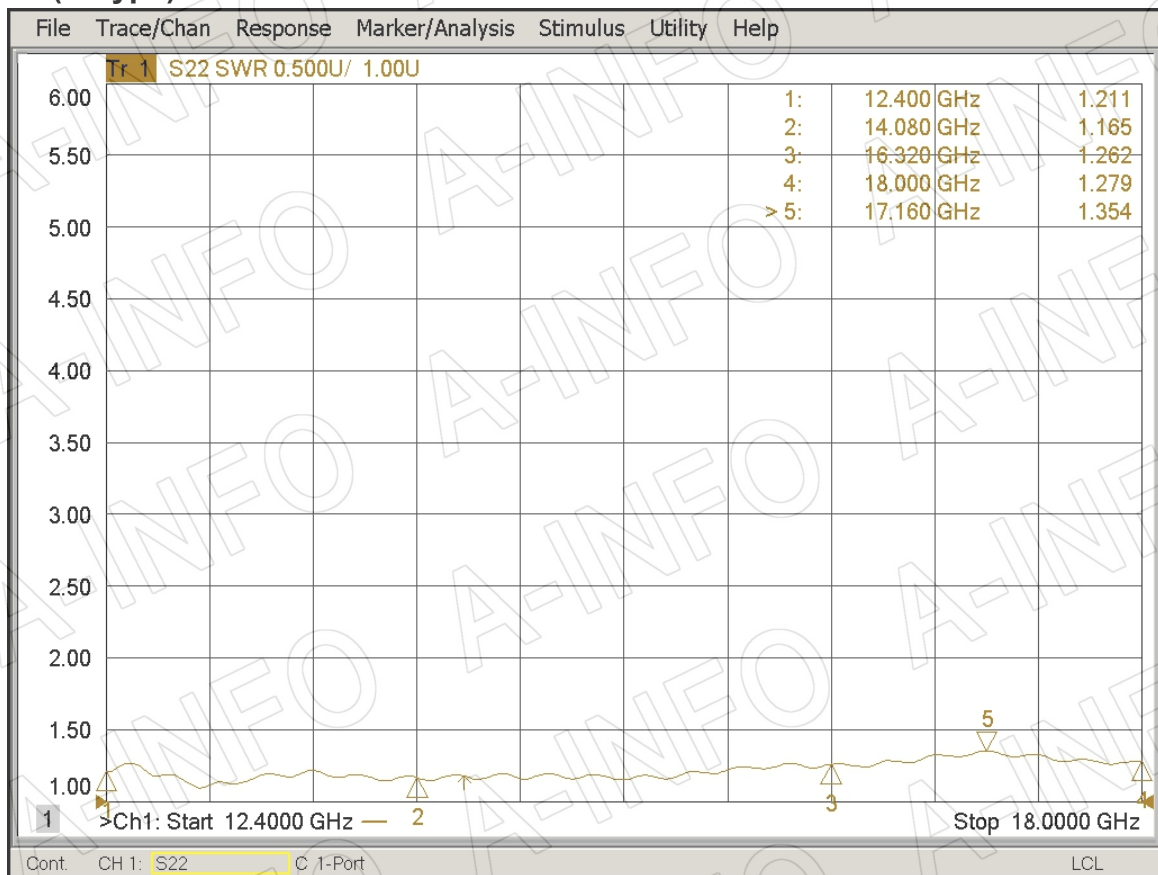
1. Gain & Antenna Factor



2. Cross Polarization Isolation



3. VSWR(C Type)



4. Pattern

